

Connection Scheme
Admiral 40
Models: ADM40D & ADM40DDS



Valid from: August 05, 2007
 Updated: September 21, 2010

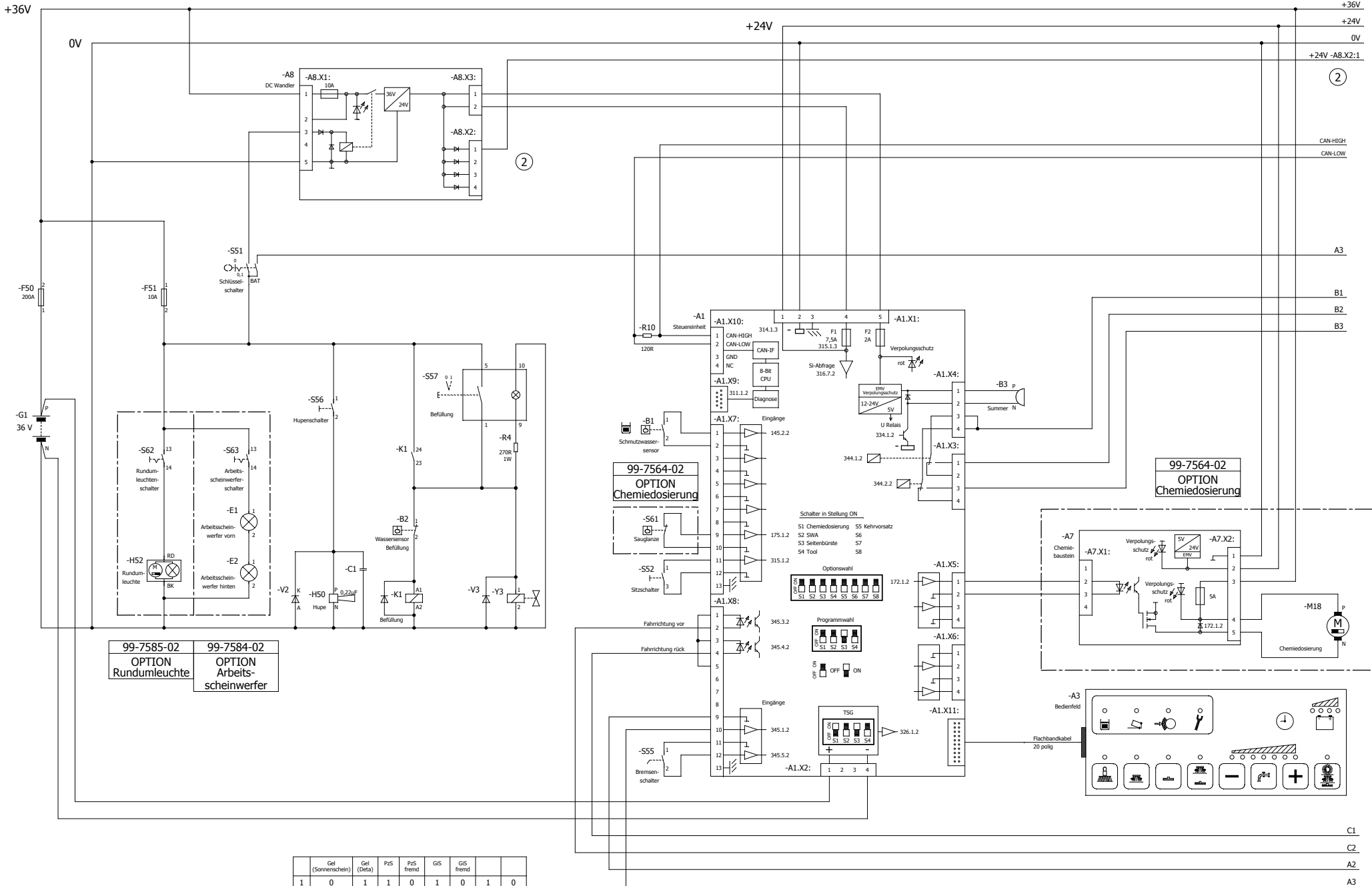
| Ref. | Description | Part Number | Path |
|--------|---|-------------|------|
| A1 | Control unit, Function control | 01175790 | 1.23 |
| A2 | Control panel (electr. module) pre-sweeper/side brush | 00512490 | 2.32 |
| A3 | Standard control panel (electronic module B-type machine) | 00712220 | 1.31 |
| A4 | Module 3E "Code A" (pre-sweeper OPTION) | 00512460 | 3.13 |
| A5 | Module 1, Power motors | 00752920 | 2.25 |
| A6 | Drive controller | 01171320 | 2.11 |
| A7 | Module, Chemical agent (chemical agent dosage OPTION) | 00512450 | 1.31 |
| A8 | DC/DC converter | 00512440 | 1.9 |
| A9 | Module 3E "Code D" (side brush OPTION) | 00512460 | 4.13 |
| A10 | Control panel (electric module) chemical agent / soiled water recycling | 90493453 | 4.32 |
| B1 | Float switch, Recovery tank (soiled water) | 00959650 | 1.19 |
| B2 | Float switch, Filling (filling OPTION) | 00959650 | 1.12 |
| B3 | Alarm (Piezo buzzer) (signal transmitter) | 00745850 | 1.29 |
| C1 | Capacitor, 0.22µF Horn | 00980040 | 1.11 |
| E1 | Front working floodlight (working floodlight OPTION) | 00980040 | 1.8 |
| E2 | Rear working floodlight (working floodlight OPTION) | 00451320 | 1.8 |
| F50 | Fuse, 200A- Main | 00101520 | 1.2 |
| F51 | Fuse, 10A- Working floodlight and rotating beacon OPTION | 00874970 | 1.5 |
| G1 | Battery 36V, Wet 6V 395Ah (6 required) | 956715 | 1.2 |
| H50 | Horn | 00050810 | 1.10 |
| H52 | Rotating beacon (rotating beacon OPTION) | 90196387 | 1.5 |
| K1 | Relay, Filling (filling OPTION) | 00059550 | 1.12 |
| K2 | Relay, Soiled water recycling (soiled water recycling OPTION) | 00120840 | 2.20 |
| K3 | Relay, Forward / reverse direction | 01079810 | 2.6 |
| M1 | Water pump | 97047310 | 2.22 |
| M2 | Soiled water recycling pump (soiled water recycling OPTION) | 97047310 | 2.20 |
| M3 | Actuator, Squeegee (lifting element) | 00650200 | 2.33 |
| M4 | Actuator, Side brush (lifting element) (side brush OPTION) | 00142140 | 4.9 |
| M5 | Drive motor | 00910150 | 2.16 |
| M6 | Actuator, Pre-sweeper (lifting element) (pre-sweeper OPTION) | 00650110 | 3.9 |
| M7 | Cylindrical broom (pre-sweeper OPTION) | 00911390 | 3.4 |
| M7.S1 | Thermal switch, Cylindrical broom (pre-sweeper OPTION) | part of M7 | 3.6 |
| M8 | Side broom 1, Right (pre-sweeper OPTION) | 01057330 | 3.22 |
| M8.S1 | Thermal switch, Side broom 1 (pre-sweeper OPTION) | part of M8 | 3.23 |
| M9 | Side broom 2, Left (pre-sweeper OPTION) | 01057330 | 3.22 |
| M9.S1 | Thermal switch, Side Broom 2 (pre-sweeper OPTION) | part of M9 | 3.23 |
| M10 | Actuator, Brush deck (lifting element) | 00650110 | 2.37 |
| M11 | Filter shaker motor (pre-sweeper OPTION) | 00512370 | 3.25 |
| M12 | Filter vacuum motor (pre-sweeper OPTION) | 00512370 | 3.25 |
| M13 | Brush motor 1, Right | 00650230 | 2.37 |
| M13.S1 | Thermal switch, brush motor 1 | part of M13 | 2.38 |
| M14 | Brush motor 2, Left | 00650230 | 2.37 |
| M14.S1 | Thermal switch, brush motor 2 | part of M14 | 2.38 |
| M15 | Side brush motor (side brush OPTION) | 00142130 | 4.6 |
| M15.S1 | Side brush thermal switch (side brush OPTION) | part of M15 | 4.7 |
| M16 | Vacuum motor 1, Left (suction turbine) | 00911380 | 2.35 |
| M17 | Vacuum motor 2, Right (suction turbine) | 00911380 | 2.38 |
| M18 | Chemical agent dosage (chemical agent dosage OPTION) | 00112300 | 1.38 |
| | RED= NON-Stock Item | | |

Connection Scheme
Admiral 40
Models: ADM40D & ADM40DDS



Valid from: August 05, 2007
 Updated: September 21, 2010

| Ref. | Designation | Part Number | Path |
|------|--|-------------|------|
| R1 | Drive potentiometer | 00975500 | 2.4 |
| R4 | Resistor, 270Ω (filling OPTION) | 19245109 | 1.15 |
| R8 | Resistor, 0.56Ω (pre-sweeper OPTION) | 00903500 | 3.25 |
| R9 | Resistor, 0.56Ω (pre-sweeper OPTION) | 00903500 | 3.25 |
| R10 | Terminating resistor CAN bus 120Ω | 90266925 | 1.19 |
| R11 | Terminating resistor CAN bus 120Ω | 90266925 | 2.22 |
| S51 | Key switch | 90323437 | 1.8 |
| S52 | Seat switch (contact switch) | 00041420 | 1.19 |
| S53 | Drive direction switch (toggle switch) | 00697630 | 2.4 |
| S54 | Drive potentiometer switch (micro switch) | 00975510 | 2.4 |
| S55 | Parking brake switch (stop light switch) | 00028680 | 1.19 |
| S56 | Horn switch (push button switch) | 00133770 | 1.10 |
| S57 | Filling switch (filling OPTION) (rocker switch) | 00009050 | 1.14 |
| S59 | Dirt hopper switch (pre-sweeper OPTION) (push switch) | 00927610 | 3.8 |
| S60 | Hood switch (pre-sweeper OPTION) (push switch) | 00927610 | 1.19 |
| S61 | Suction lance switch (chemical agent dosage OPTION) | 90045058 | 1.5 |
| S62 | Rotating beacon switch (rotating beacon OPTION) (rotary switch) | 00521380 | 1.8 |
| S63 | Working floodlight switch (working floodlight OPTION) (rotary switch) | 00521380 | 1.9 |
| V2 | Recovery diode for horn –H50 | 90194879 | 1.9 |
| V3 | Recovery diode for water valve for filling –Y3 | 90194879 | 1.14 |
| Y1 | Water valve, Brushes | 00563220 | 2.22 |
| Y2 | Water valve, Soiled water recycling system (soiled water recycling OPTION) | 00563220 | 2.20 |
| Y3 | Water valve, Filling (part of filling OPTION) | 00651240 | 1.15 |
| Y4 | Water valve, Side brush (side brush OPTION) | 00563220 | 4.23 |
| | RED= NON-Stock Item | | |



| | |
|--|---|
| 99-7585-02 OPTION Rundumleuchte | 99-7584-02 OPTION Arbeits- scheinwerfer |
|--|---|

| |
|--|
| 99-7564-02 OPTION Chemiedosierung |
|--|

| |
|--|
| 99-7564-02 OPTION Chemiedosierung |
|--|

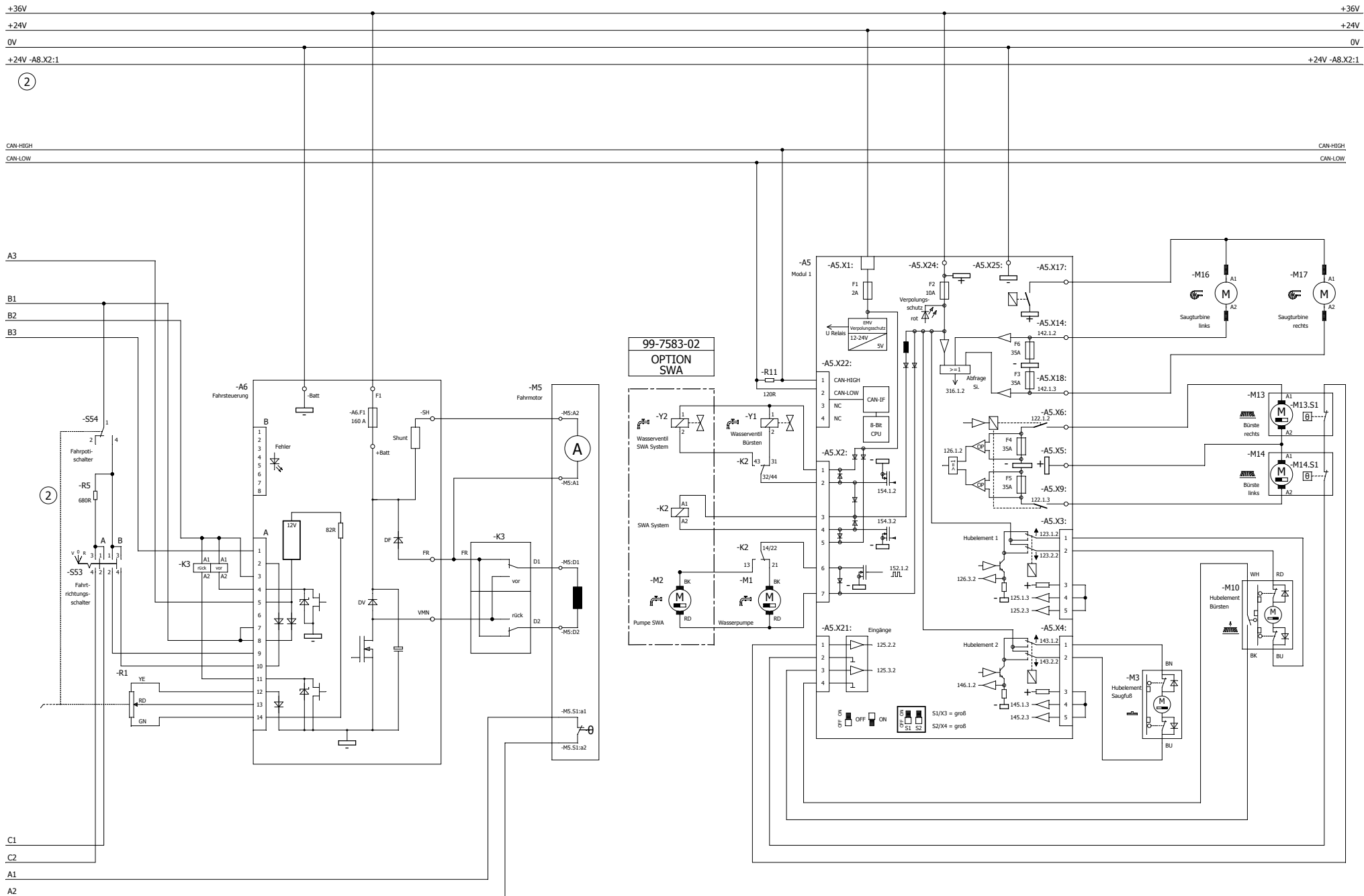
| | | | |
|-----------------------------------|------------------------------|-----------|----------------|
| -A7 Chemie- baustein | Verpolungs- schutz rot | 5V 24V | -A7.X2: |
|-----------------------------------|------------------------------|-----------|----------------|

| | |
|--------------------------|----------------------------|
| -A3 Bedienfeld | Flachbandkabel 20 polig |
|--------------------------|----------------------------|

| | Gel (Sonnenschein) | Gel (Data) | P/S | P/S fremd | GIS | GIS fremd | | |
|---|----------------------|------------|-----|--------------|-----|--------------|---|---|
| 1 | 0 | 1 | 1 | 0 | 1 | 0 | 1 | 0 |
| 2 | 1 | 1 | 0 | 0 | 1 | 1 | 0 | 0 |
| 3 | 1 | 1 | 1 | 1 | 0 | 0 | 0 | 0 |
| | ON = 24V / OFF = 36V | | | | | | | |

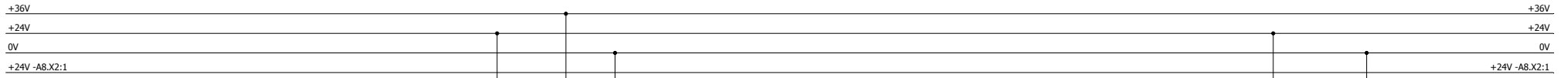
| | | | | | | | | | | | | |
|--|---|-----|----------------|----------|-------|------|------------|----------|-----------|--|--|-----------------------------------|
| = | 2 | Zu | 1000-00 | 09.08.07 | Zim. | 2006 | Datum | Name | VES-Nr. : | Benennung CONNECTION SCHEME ADMIRAL 40 | | Zeichnungs-Nr. 91025007 |
| | + | Nr. | Zahl kommt vor | Änd.-Nr. | Datum | Name | Gezeichnet | 29.09.09 | kupe | | | |
| Für diese Zeichnung behalten wir uns alle Rechte vor. (Gemäß DIN 34) | | | | | | | | | | Typ: 7580-02 | | Blatt: 1 |

PLOT DATUM : 14.08.2007 B-Stand : 003 / Zim. / 09.08.07 [004 / kupe / 09.08.07]

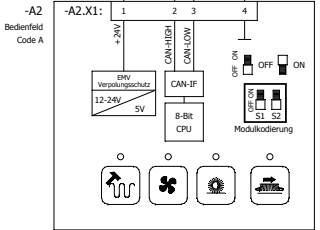


PLOT DATUM : 14.08.2007 B-Stand : 003 / Zim. / 09.08.07 [004 / kupe / 09.08.07]

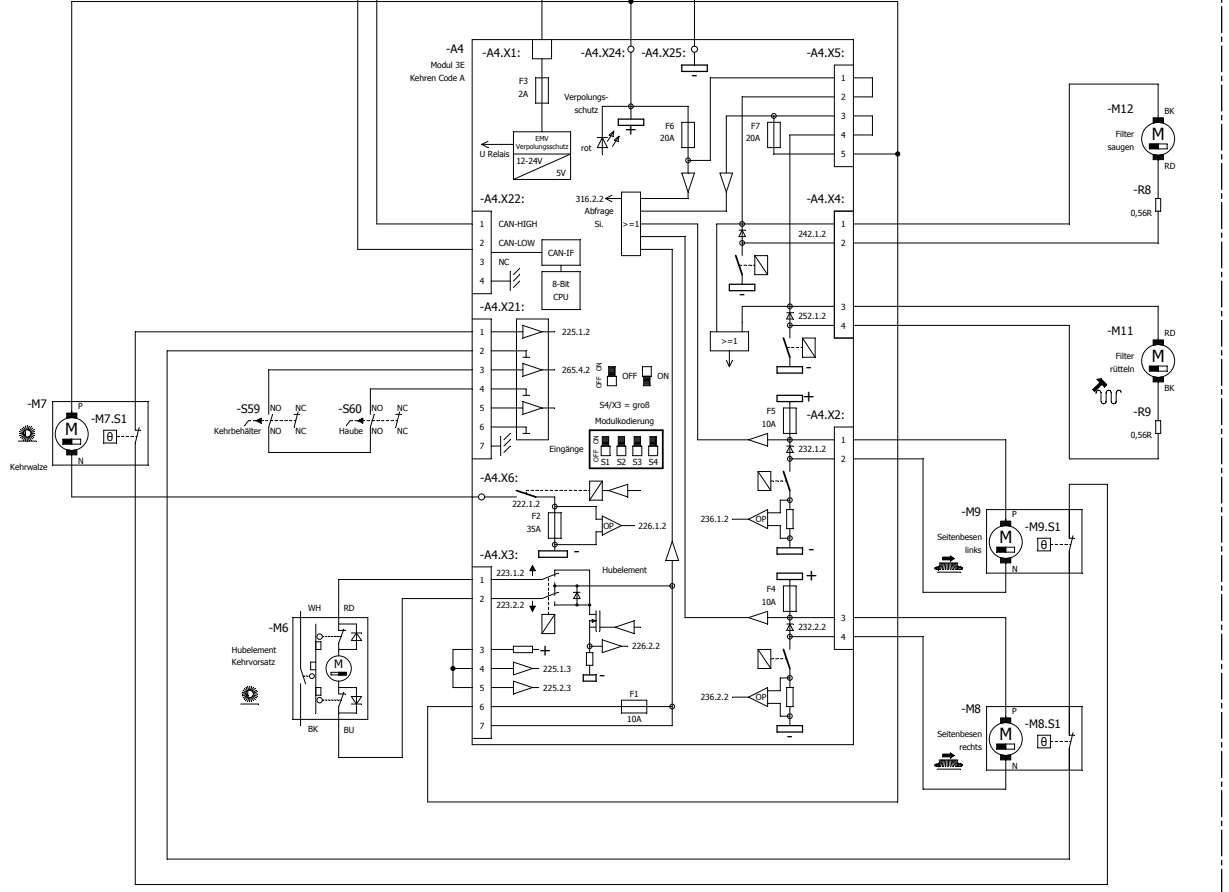
| | | | | | | | | | | | | | | |
|--------------------|---|-----|----------------|----------|-------|------|-----------|------------|-----------|--|--|----------------------------|---------------------|--------------|
| = | 2 | Zu | 1000-00 | 09.08.07 | Zim. | 2006 | Datum | Name | YES-Nr. : | Benennung | | Zeichnungs-Nr. 91025007 | | |
| | + | Nr. | Zahl kommt vor | Änd.-Nr. | Datum | Name | Normgepr. | Gezeichnet | 29.09. | kupe | | | Ersatz für : GL.Nr. | Typ: 7580-02 |
| Änd. Nr. : 0901-01 | | | | | | | | | | Für diese Zeichnung behalten wir uns alle Rechte vor. (Gemäß DIN 34) | | | Blattzahl: 6 | Blatt: 2 |



99-7581-02
OPTION
Kehrvorsatz



Kehrvorsatz / Seitenbürste



PLOT DATUM : 14.08.2007 B-Stand : 003 / Zim. / 09.08.07 [004 / kupe / 09.08.07]

| | | | | | | | | | | | | |
|---|-----|----------------|----------|----------|------|-----------|-------|------|-----------------------|---|--------------|----------------------------|
| = | 2 | J. | 1000-00 | 09.08.07 | Zim. | 2006 | Datum | Name | YES-Nr. : | Benennung | | Zeichnungs-Nr. 91025007 |
| | | | | | | | | kupe | Erstausf. für : GLNr. | CONNECTION SCHEME ADMIRAL 40 | | |
| + | Nr. | Zahl kommt vor | Änd.-Nr. | Datum | Name | Normgepr. | | | Änd. Nr. : | Für diese Zeichnung behalten wir uns alle Rechte vor (Gemäß DIN 34) | Typ: 7580-02 | Blattzahl: 6 Blatt: 3 |
| | | | | | | | | | 0901-01 | | | |

